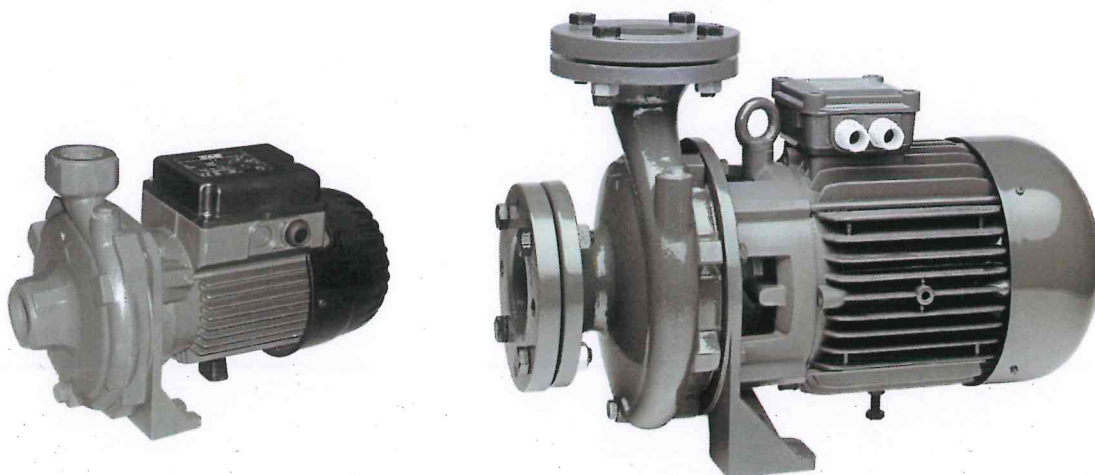


---

# K

## SINGLE IMPELLER PUMPS



---

## GENERAL DATA

### Applications

Single impeller centrifugal pump suitable for domestic, civil, industrial and agricultural installations and for decanting, mixing and irrigating uses.

### Constructional features of the pump

Cast iron pump body and motor support.

Technopolymer or cast iron impeller, as indicated in the table of TECHNICAL DATA.

Carbon/ceramic mechanical seal.

### Constructional features of the motor

Induction motor, closed and cooled with external ventilation.

Rotor mounted on oversized greased sealed-for-life ball bearings to ensure silent running and long life.

Built-in thermal and current overload protection and a capacitor permanently in circuit in the single-phase version.

Three-phase motors should be protected with a suitable overload protection complying with the regulations in force.

Manufactured according to CEI 2-3 standards.

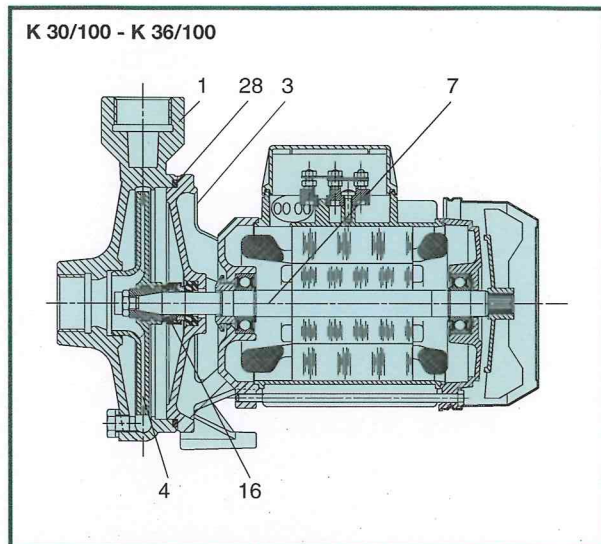
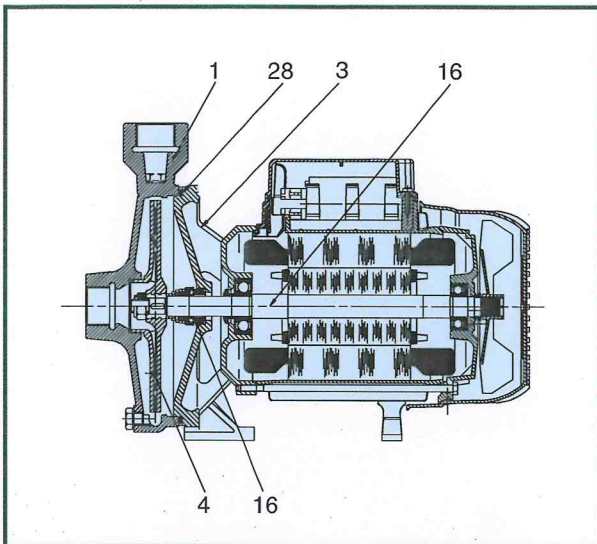
Motor protection: IP44 (IP 55 for motor to 2,2 - 3 - 4 - 5,5 - 7,5 - 9,2 - 11 kW)

Terminal box protection: IP55

Insulation class: F

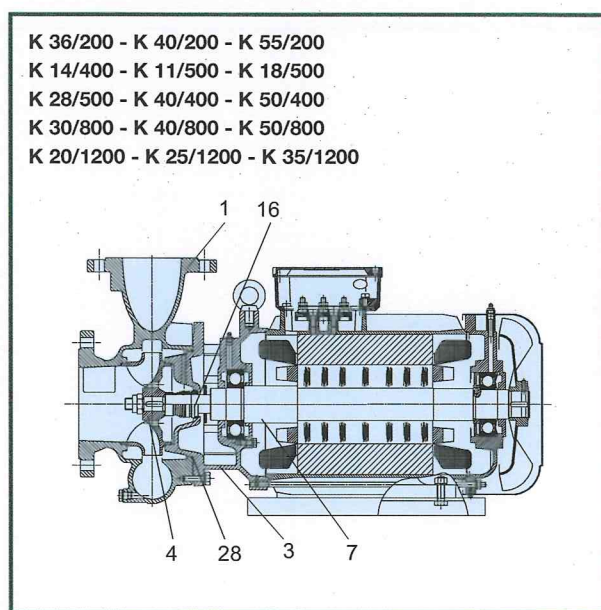
Standard voltage:	single-phase	220-240 V/50 Hz
	three-phase	230-400 V/50 Hz up to and including 4 kW
		400 V Ø50 Hz over 4 kW

# TECHNICAL DATA



N.	PARTS*	MATERIALS	MODELS
1	PUMP BODY	CAST IRON 200 UNI ISO 185	
3	SUPPORT	CAST IRON 200 UNI ISO 185	
4	IMPELLER	TECHNOPOLYMER A	K 20/41; K 30/70; K 30/100; K 36/100; K 12/200; K 36/200; K 40/200.
		TECHNOPOLYMER B	K 55/200
		CAST IRON 200 UNI ISO 185	K 14/400; K 11/500; K 18/500; K 28/500; K 40/400; K 50/400; K 30/800; K 40/800; K 50/800; K 20/1200; K 25/1200; K 35/1200.
7	SHAFT WITH ROTOR	STAINLESS STEEL AISI 416 X12CrS13 UNI 6900/71	K 20/41; K 30/70; K 12/200
		STAINLESS STEEL AISI 303 X10CrNiS 1089 UNI 6900/71	K 30/100; K 36/100; K 36/200; K 40/200; K 55/200; K 14/400; K 11/500; K 18/500; K 28/500.
		STAINLESS STEEL AISI 304 X5CrNi 1810 UNI 6900/71	K 40/400; K 50/400; K 30/800; K 40/800; K 50/800; K 20/1200; K 25/1200; K 35/1200.
16	MECHANICAL SEAL	CARBON/CERAMIC	
28	OR GASKET	NBR RUBBER	
		EPDM RUBBER	K 36/200; K 40/200; K 55/200; K 14/400; K 11/500; K 18/500; K 28/500; K 30/800; K 40/800; K 50/800; K 20/1200; K 25/1200; K 35/1200.

\* In contact with the liquid.



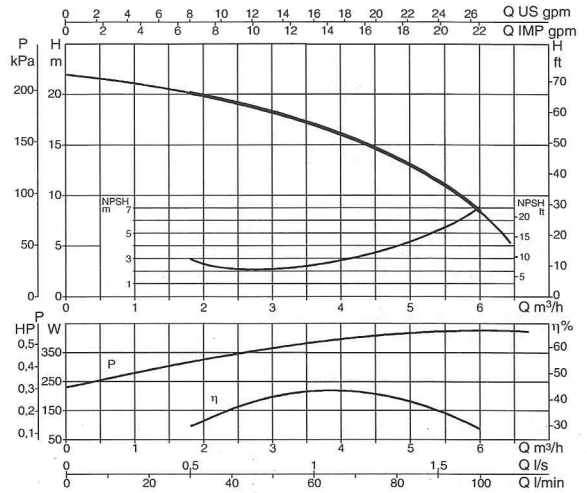
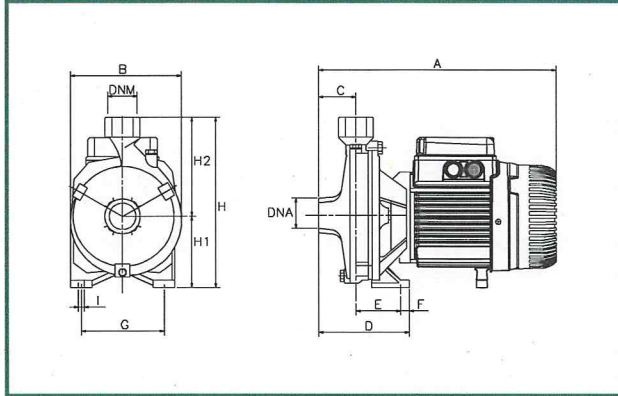
- Operating range: from 1.8 to 96 m<sup>3</sup>/h with head up to 62 metres
- Liquid quality requirements: clean, free from solids or abrasive substances, non viscous, non aggressive, non crystallized, chemically neutral, close to the characteristics of water.
- Liquid temperature range: K 20/41, K 30/70, K 30/100, K 36/100 : from -10°C to +50°C  
K 12/200, K 36/200, K 40/200 : from -15°C to +110°C  
The rest of the range
- Maximum ambient temperature: +40°C
- Maximum operating pressure: K 20/41, K 30/70, K 30/100, K 36/100, K 12/200, K 14/400 : 6 bar (600 kPa)  
K 36/200, K 40/200, K 55/200, K 11/500, K 18/500, K 28/500 : 8 bar (800 kPa)  
K 40/400, K 50/400, K 30/800, K 40/800, K 50/800, K 20/1200, K 25/1200, K 35/1200 : 10 bar (1000 kPa)
- Installation: fixed in a horizontal or vertical position, as long as the motor is above the pump
- Special executions on request: other voltages and/or frequencies



The performance curves are based on the kinematic viscosity values = 1 mm<sup>2</sup>/s and density equal to 1000 kg/m<sup>3</sup>. Curve tolerance according to ISO 9906.

Liquid temperature range: from -10°C to +50°C  
 Maximum ambient temperature: +40°C

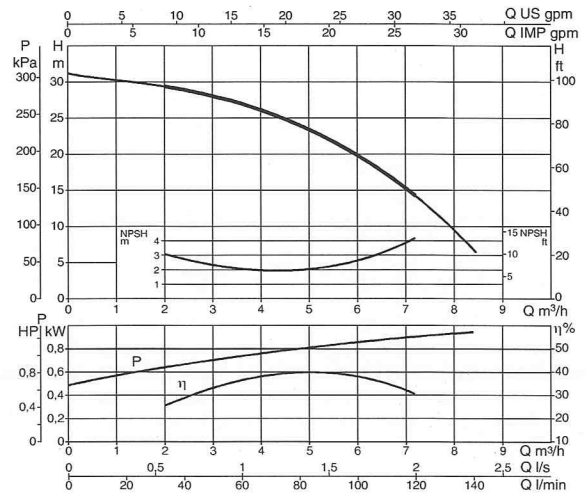
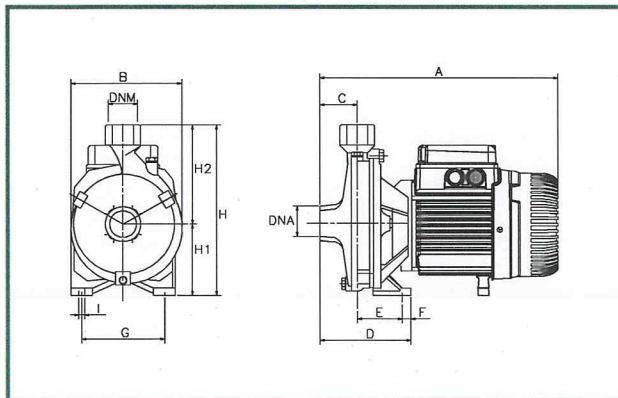
## K 20/41



MODEL	A	B	C	D	E	F	G	I	H	H1	H2	DNA	DNM	PACKING DIMENSIONS			VOLUME m <sup>3</sup>	WEIGHT Kg
														L/A	L/B	H		
<b>K 20/41</b>	300	160	50	100	50	15	110	9	205	85	120	1" G-M	1" G-M	332	202	257	0,024	10,1

MODEL	ELECTRICAL DATA										HYDRAULIC DATA (n ≈ 2800 1/min)							
	VOLTAGE 50 Hz	P1 MAX kW	P2 NOMINAL		In A	I st. A	1/min	η max %	cos φ	CAPACITOR		Q						
			kW	HP						μF	Vc	m <sup>3</sup> /h	l/min	0	1,8	2,4	3,6	4,8
<b>K 20/41 M</b>	1x220-240 V ~	0,65	0,37	0,5	3	8,5	2800	66,8	0,98	10	450	H (m)	22	20,2	19,4	17	13,5	8
<b>K 20/41 T</b>	3x230-400 V ~	0,64	0,37	0,5	2,3-1,3	8,6-5	2800	72,9	0,78	-	-							

## K 30/70



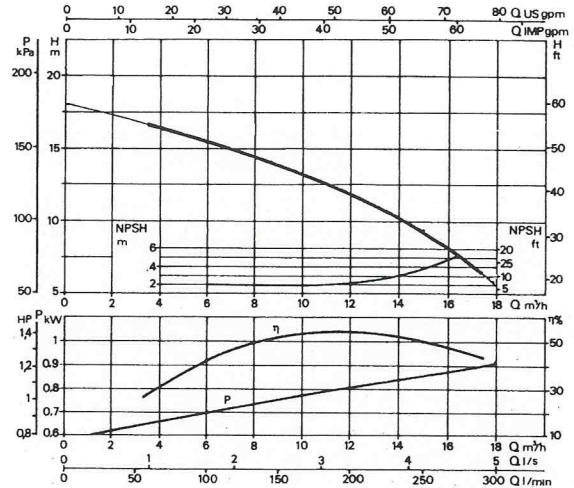
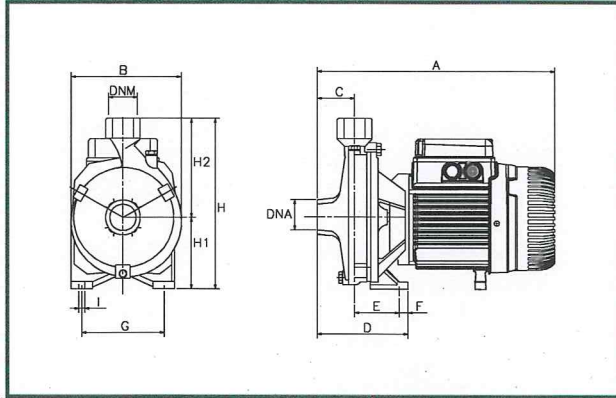
MODEL	A	B	C	D	E	F	G	I	H	H1	H2	DNA	DNM	PACKING DIMENSIONS			VOLUME m <sup>3</sup>	WEIGHT Kg
														L/A	L/B	H		
<b>K 30/70</b>	330	185	50	108	58	15	140	9	235	100	135	1" G-M	1" G-M	386	226	272	0,024	14,8

MODEL	ELECTRICAL DATA										HYDRAULIC DATA (n ≈ 2800 1/min)								
	VOLTAGE 50 Hz	P1 MAX kW	P2 NOMINAL		In A	I st. A	1/min	η max %	cos φ	CAPACITOR		Q							
			kW	HP						μF	Vc	m <sup>3</sup> /h	l/min	0	1,8	2,4	3,6	4,8	6
<b>K 30/70 M</b>	1x220-240 V ~	1,3	0,75	1	6	15,8	2800	71,4	0,96	20	450	H (m)	31,8	29,5	28,9	27	24,2	19,8	13,5
<b>K 30/70 T</b>	3x230-400 V ~	1,2	0,75	1	4,3-2,5	22,1-12,8	2820	76,4	0,79	-	-								

The performance curves are based on the kinematic viscosity values = 1 mm<sup>2</sup>/s and density equal to 1000 kg/m<sup>3</sup>. Curve tolerance according to ISO 9906.

Liquid temperature range: from -10°C to +50°C  
 Maximum ambient temperature: +40°C

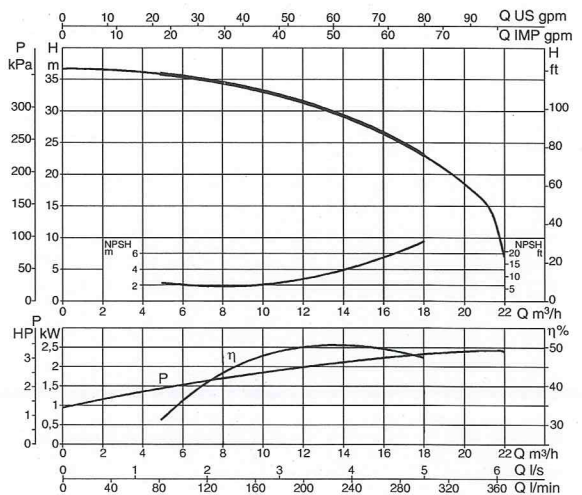
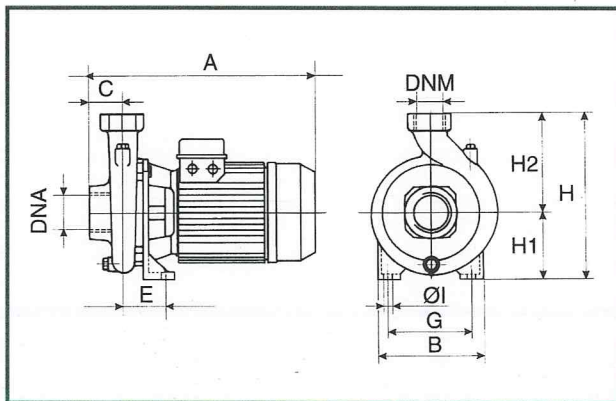
## K 12/200



MODEL	A	B	C	D	E	F	G	I	H	H1	H2	DNA	DNM	PACKING DIMENSIONS			VOLUME m <sup>3</sup>	WEIGHT Kg
														L/A	L/B	H		
<b>K 12/200</b>	335	169	45	114	69	15	110	9	210	85	125	1 1/2" G-M	1 1/2" G-M	392	232	280	0,024	14

MODEL	ELECTRICAL DATA									HYDRAULIC DATA (n = 2800 1/min)												
	VOLTAGE 50 Hz	P1 MAX kW	P2 NOMINAL		In A	I st. A	1/min	η max %	cos φ	CAPACITOR		Q m <sup>3</sup> /h l/min	H									
			kW	HP						μF	Vc		(m)	0	2,4	3,6	4,8	6	7,2	9,6	12	14,4
<b>K 12/200 M</b>	1x220-240 V ~	1,05	0,75	1	4,6	18,5	2790	73,5	0,98	20	450	0	18,4	17,2	16,5	16	15,3	14,7	13,1	11,4	9,5	6,8
<b>K 12/200 T</b>	3x230-400 V ~	1,02	0,75	1	3,6-2,1	22,1-12,8	2860	78,9	0,72	-	-	0										

## K 36/200



MODEL	A	B	C	E	G	I	H	H1	H2	DNA	DNM	PACKING DIMENSIONS			VOLUME m <sup>3</sup>	WEIGHT Kg
												L/A	L/B	H		
<b>K 36/200 T</b>	425	250	55	86	175	14	320	135	185	2" G	1 1/4" G	512	276	345	0,049	32,1

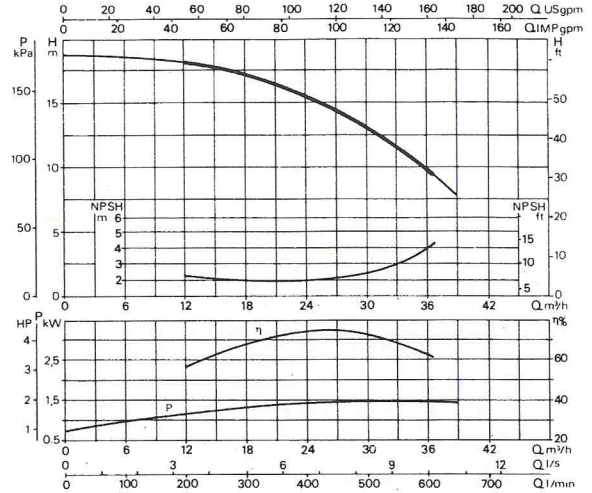
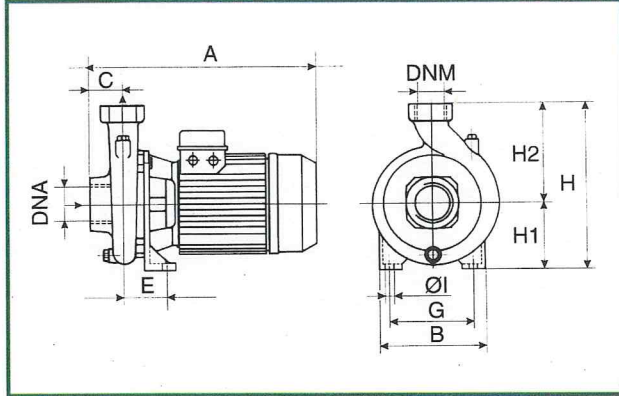
MODEL	ELECTRICAL DATA									HYDRAULIC DATA (n = 2860 1/min)												
	VOLTAGE 50 Hz	P1 MAX kW	P2 NOMINAL		In A	I st. A	1/min	η max %	cos φ	CAPACITOR		Q m <sup>3</sup> /h l/min	H									
			kW	HP						μF	Vc		(m)	0	2,4	4,8	7,2	9,6	10,8	12	14,4	16,8
<b>K 36/200 T</b>	3x230-400 V ~	3	2,2	3	9-5,2	45-26	2860	78,2	0,87	-	-	0	36,6	36,5	36	35	33,3	32,5	31,5	29	25,6	23,5



The performance curves are based on the kinematic viscosity values = 1 mm<sup>2</sup>/s and density equal to 1000 kg/m<sup>3</sup>. Curve tolerance according to ISO 9906.

Liquid temperature range: from -15°C to +110°C  
 Maximum ambient temperature: +40°C

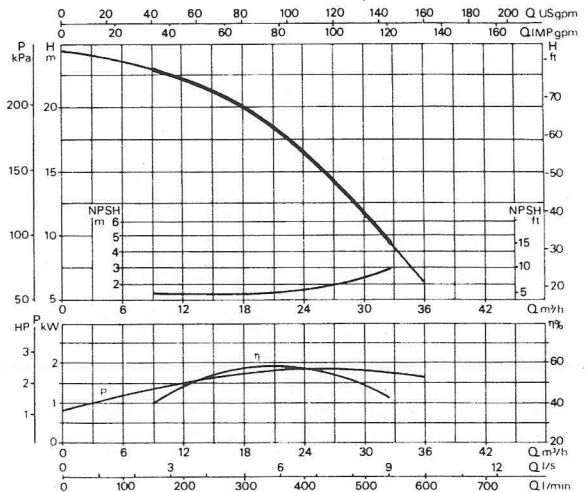
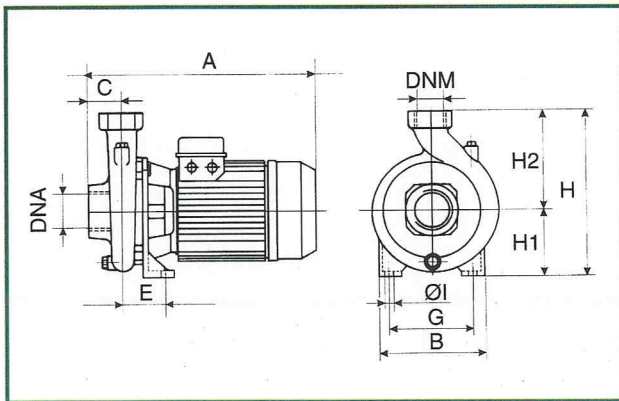
## K 14/400



MODEL	A	B	C	E	G	I	H	H1	H2	DNA	DNM	PACKING DIMENSIONS			VOLUME m <sup>3</sup>	WEIGHT Kg
												L/A	L/B	H		
<b>K 14/400 M</b>	430	200	62	74	120	11	270	105	165	2" G	2" G	427	246	307	0,032	24,5
<b>K 14/400 T</b>	358	200	62	74	120	11	270	105	165	2" G	2" G	427	246	307	0,032	22

MODEL	ELECTRICAL DATA										HYDRAULIC DATA (n ≈ 2850 1/min)												
	VOLTAGE 50 Hz	P1 MAX kW	P2 NOMINAL		In A	I st. A	1/min	η max %	cos φ	CAPACITOR		Q											
			kW	HP						μF	Vc	m <sup>3</sup> /h	l/min	0	6	9	12	15	18	24	30	36	39
<b>K 14/400 M</b>	1x220-240 V ~	2,1	1,85	2,5	9,5	38	2850	72,0	0,95	40	450	H (m)											
<b>K 14/400 T</b>	3x230-400 V ~	2,1	1,85	2,5	7-4	37,5-21,7	2850	80,5	0,83	-	-	19	19	18,9	18,8	18,5	18	16,3	13,8	10	8,2		

## K 11/500



MODEL	A	B	C	E	G	I	H	H1	H2	DNA	DNM	PACKING DIMENSIONS			VOLUME m <sup>3</sup>	WEIGHT Kg
												L/A	L/B	H		
<b>K 11/500</b>	440	240	62	100	155	14	312	132	180	2 1/2" G	2" G	512	286	345	0,049	33,2

MODEL	ELECTRICAL DATA										HYDRAULIC DATA (n ≈ 2900 1/min)												
	VOLTAGE 50 Hz	P1 MAX kW	P2 NOMINAL		In A	I st. A	1/min	η max %	cos φ	CAPACITOR		Q											
			kW	HP						μF	Vc	m <sup>3</sup> /h	l/min	0	6	9	12	15	18	24	30	36	
<b>K 11/500 T</b>	3x230-400 V ~	2,6	2,2	3	7,6-4,4	45-26	2900	81,2	0,81	-	-	H (m)											
												24,5	23,5	23	22,5	21,5	20	16,5	11,5	6,5			